

Specifications

備注 (Remark)

1. 材料 (Material)

膠芯:LCP UL94V-0

Housing:LCP UL94V-0

端子:磷銅

Contact:Phosphor Brass

2. 特性 (characteristics):

額定電流:0.50AMP

Rating Current:0.50AMP

接觸阻抗:30mΩ Max

Contact Resistance:30mΩ Max

絕緣阻抗:100MΩ Min

Insulating Resistance:100 MΩ MIN

耐電壓: AC 200V/Minute

Withstanding Voltage:AC 200V/Minute

溫度範圍: -55° C to+85° C

Temperature Range: -55° C to+85° C

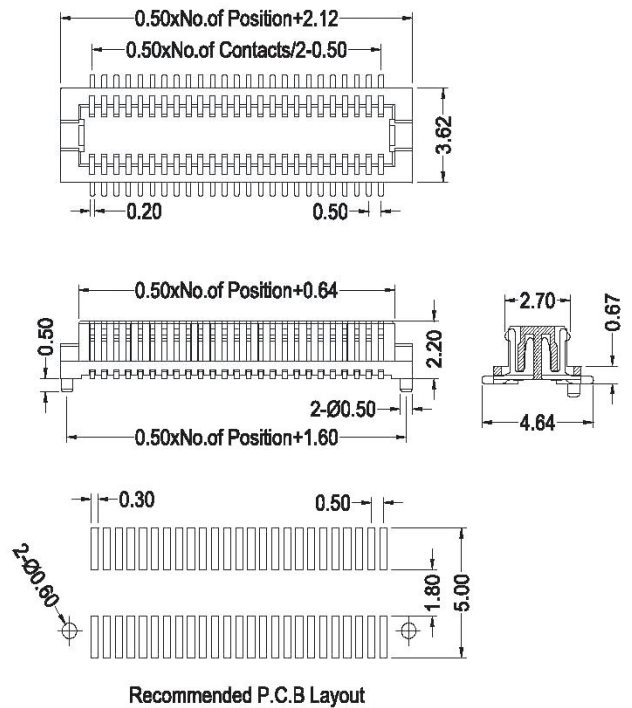
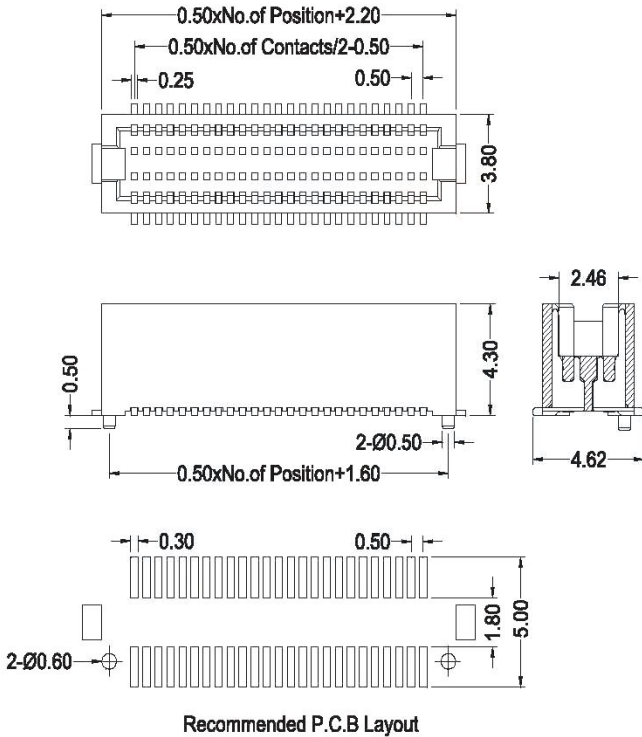


BTB5001-MXXXSXXXXXXXXX1



BTB5001-FXXXSXXXXXXXXX1

BTB CONNECTOR



BTB5001-X

Type
F:Female
M:Male

XXX

No.Of Pins Per Row
20~60P

S

XXX

Contact Plating
Full Of Gold
G0=0.8u"
~
G9=30u"
S1=Ordinary Tin Plated
S2=Matte Tin Plated
S3=Tin-plated High-temperature

XX

Insulator Material:
A:PBT
B:PA6T
C:PA9T
D:LCP

X

Colour
W:White
P:Beige
B:Black
G:Grey427
E:Grey413
U:Blue
Y:Yellow

X

Packing
A:PE Bag
R:Tape & Reel
T:Tube
D:Tube+CAP
E:Tray

X

1